

WARRANTY

We warrant that the equipment built by us will be free from defects of material or workmanship and, if properly used, will do the work for which it is designed.

Any Part or parts which, upon our examination, are found to be defective will be replaced or repaired, at our option. Said part or parts must be returned, freight prepaid, to the home plant. The repaired part or parts will be shipped F.O.B. Minneapolis, Minnesota.

This is an unqualified warranty to the original purchaser of the equipment and shall apply for the period of one year from the date of shipment of the equipment from our plant.

INDEX

Precautions for the Installation and Operation of Pneumatic Die Cushions	2
Types of Mountings	3
Installation Instructions	
Model C Bolster Plate Mounting.....	5
Model C Press Bed Mounting.....	8
Instructions for Installing Multiple Cushions Installations.....	11
Parts List and Accessories	
Cushion Surge Size.....	13
Combination Reducing Regulating Valve and Pressure Gauge	14
Pressure Gauge	15
Surge Tanks.....	17
Lubrication.....	18
Pneumatic Packings.....	23
Model C Parts List.....	26
Tonnage and Ring Holding Force Necessary For Drawing Shells	28
Tonnage Capacities On Presses.....	31
Die Cushions Lubricant	32
Low Pressure Cushion Pipng Layout	33
Multiple Low Pressure Cushions Pipng Layout	34



LOOK FOR THIS SYMBOL TO POINT OUT IMPORTANT SAFETY PRECAUTIONS. IT MEANS – ATTENTION! BECOME ALERT! YOUR SAFETY IS INVOLVED.

Precautions for the Installation and Operation of Pneumatic Die Cushions

In order to get efficient and trouble free performance on any pneumatic die cushion installation, it is very important that the pin pressure pad or wear plate of the die cushion unit be parallel with the top of the press had and adjusted to its correct height relative to the top of the press bed. The maximum amount that the pin pressure pad can be out of parallel with the top of the press bed and still work satisfactorily is 1/64". For this reason it is important that the mounting rods on both the bolster plate mounting and the press bad mounting be checked periodically to make sure all the nuts are tight and that the adjustment at all four corners is uniform. If this adjustment is not maintained, the cylinder will not travel parallel to the piston and as a result cause breakdown of the cushion cylinder.



When a piece of work jams in a drawing or forming die, do not remove the jammed part by using the die cushion with the air pressure on. The air pressure should be turned off and system air drained before attempting to remove jammed part from the die. When a part is removed with the air pressure on, a severe shock is caused against the stop and adjusting nut on the Model D and MD or on the stop rods on the Model C, HC or HD cushion, which may cause a breakdown of the cushion unit. In addition to this it is very dangerous from the operator's standpoint, as the part sometimes comes loose with much force it may cause personal injury.

It should be remembered that once a pneumatic die cushion has been inflated to the required pressure, it theoretically uses no more air. The combination reducing regulating valve merely maintains the required pressure, by compensating for any air leaks through the pipe connections, packings or fittings.

If an air leak develops in the cushion unit, it is generally assumed that the packings are worn out and must be replaced. However, if the cushion has not been used for a period of two or three weeks it is advisable to inject two or three shots of grease into each grease fitting to soften the packing. Also, under severe vibration conditions the metal tubing may fracture near the connections and cause an air leak, which may be mistaken for a leaking cap packing. Before disassembling C and D cushions it is advisable to check these fittings as explained on page 19.



Note: Pneumatic Die Cushions should always be loaded evenly. When die requires pins to be unbalanced, use **compensating pins** to balance load, Dayton Die Cushions manufactures cushions specifically designed to customers' requirements for jobs where off-center loading is necessary.



CAUTION! Failure to lubricate as instructed may result in permanent mechanical damage to internal working parts of die cushion or counterbalance cylinder. This may result in seizure of unit and **possibility of injury** to operating personnel.

Types of Mountings

Dayton Pneumatic Die Cushions are designed and constructed primarily for deep drawing die operations; however, they can be used to an advantage for pressure pad control on forming dies as well as for stripper pad control on compound blanking and piercing dies. To meet these requirements several different die cushion models were developed which could be suspended from the **bolster plate** of the press or directly from the **press bed**.

BOLSTER PLATE MOUNTING

This type of mounting, as shown in Fig. 1, is recommended for single units in either the Model C, D, MC, MD, HC or Model HD cushions, however, it is occasionally used for mounting multiple installations when the press bed is so designed that no other type of mounting can be used. The installation procedure is very simple, as it requires only the drilling and tapping of four holes in the bolster plate of the press. The mounting rods are provided with shoulders that automatically take care of the alignment of the cushion with reference to the bed of the press. When drilling and tapping bolster, extra care should be taken to measure that the holes are perpendicular to the bolster plate. As a general rule, those rods should not be out of parallel with the center line of the cushion by more than **.001 for each two inches of rod length** in order to reduce side stresses in the rods.



PRESS BED MOUNTING

This type of mounting, as shown in Fig. 2, is used on single unit installations as well as on the larger, multiple installations. It is more desirable in most installations; because the bolster plate of the press can be removed at any time without disturbing the cushion unit. This feature is very desirable on presses where a variety of different types of tools are being used. The installation of a press bed mounting, however, requires greater care, because the mounting plate, as well as the pin pressure pad, must be aligned with the top of the press bed to avoid a tilting action on the cushion unit when in operation. **When the bed is tapped the same precautions as to out-of-parallel conditions should be applied as for bolster mounting.**



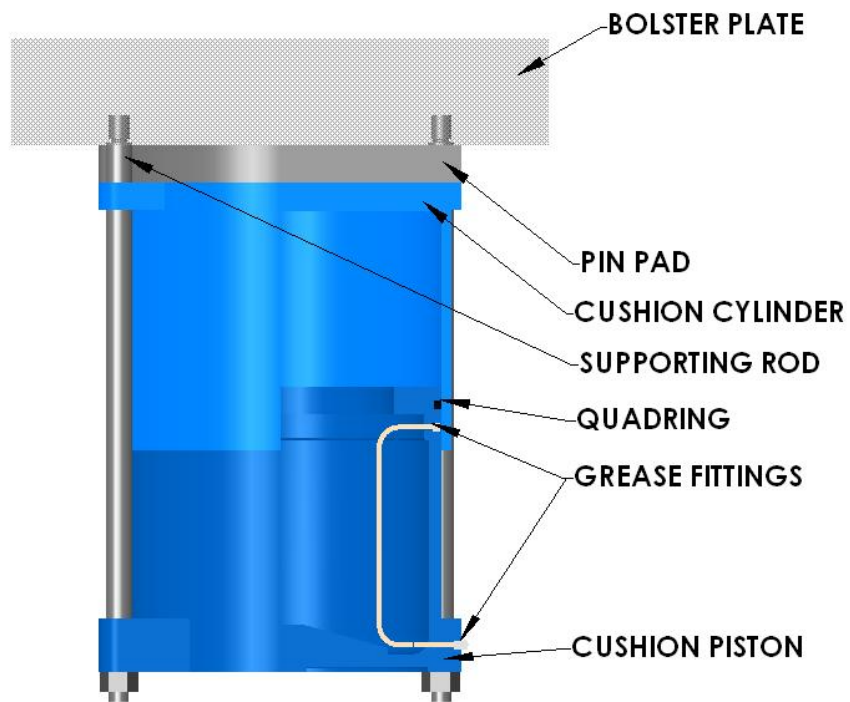


Fig. 1 Bolster Mounting

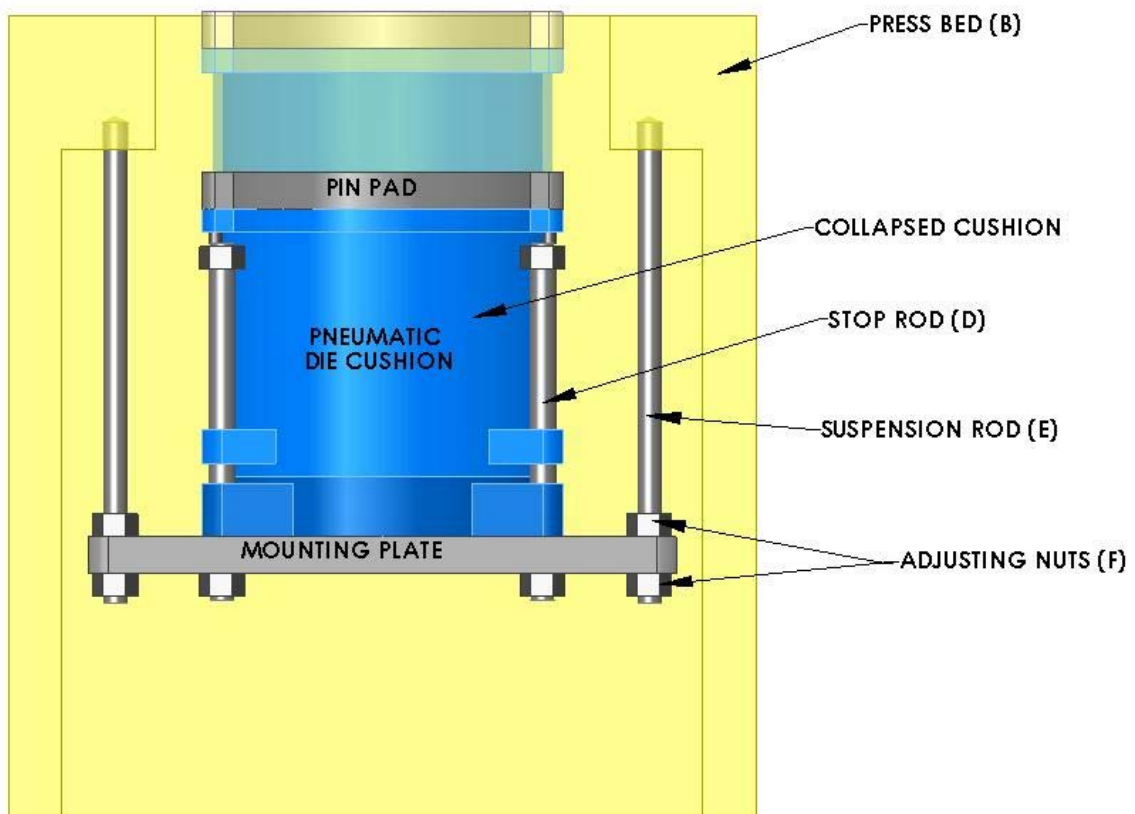


Fig. 2 Press Bed Mounting

Installation Instructions

Model C Bolster Plate Mounting



IMPORTANT! Do not disassemble the cushion cylinder and piston when installing, because the packing will flare out and cause an air leak unless reassembled properly.

NOTE: All cushion installations are tested and inspected for air leaks before shipment.

The following is the recommended procedure for mounting a single unit Model "C" to the bolster plate of a press:

(1) The die cushion should be mounted to the bolster plate so that it is centrally located with reference to the opening in the press bed (See Fig. 4). To accomplish this it is advisable to scribe the press bed opening on the underside of the bolster plates before removing it from the press. This outline will locate the relative position for attaching the die cushion,

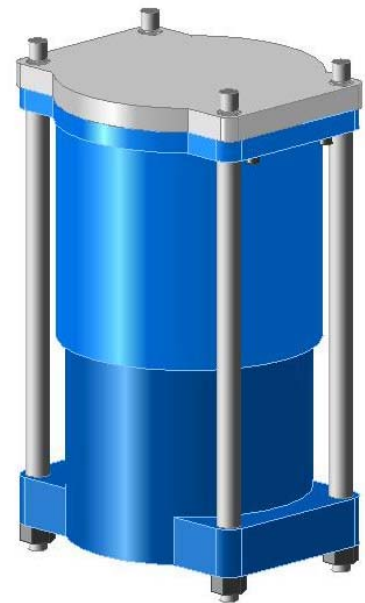


(2) Remove the bolster plate and check both surfaces carefully to make sure they are flat and parallel. **THIS IS IMPORTANT!** If surfaces are bowed or not parallel, have them machined and then replace the bolster plate on the press and again scribe the opening on the underside of it.

(3) Layout hole centers on the underside of the bolster plate according to dimensions "A" and "B" shown on page 7. The tolerances on these holes must be held to a maximum of plus or minus 1/64", otherwise the mounting rods will not line up with the holes in the bottom flange of the die cushion unit. Drill and tap holes according to dimensions "I" and "J", making sure that the holes are square with the surface of the bolster plate (See page 3). If blind holes are used, be sure a minimum length of full thread is tapped in the bolster plate.

(4) Bolt the bolster plate onto the press bed in its normal position.

(5) Screw the ends of the four mounting rods with the short length of thread into the bolster plate. Make sure that the shoulders of these rods are securely screwed up to the plate.



**Fig. 3 Model C Die Cushion
100 psi Max. Pressure**



(6) Place cushion under the press in its correct relative position, making sure the side with the name plate is toward the front of the press. Raise the die cushion into position so that the mounting rods pass through the holes in the bottom flange of the cushion and arrange some temporary blocking device to hold the cushion unit in place. Run on the four nuts and lock washers, making sure they are pulled up tight so that the shoulders of the rods are secured against the bottom flange of cushion.

(7) Install combination reducing and regulating valve and pressure gauge, as well as the high pressure hoses, according to detailed instructions on page 14.

(8) If surge tank is to be used with the cushion installation, refer to page 16 for detailed instructions on installation of surge tanks. If no surge tank is to be used, plug up the hole in the bottom flange of the cushion with the pop safety valve provided for this purpose.

(9) Each cushion unit is completely lubricated before shipping; however, it is advisable to lubricate each fitting until grease emerges from between the piston and cylinder walls before cushion is put into operation. The same procedure should be followed after every 8 hours of operation. As a result of careful tests and experimental research the Dayton Die Cushions has developed a specially compounded lubricant for die cushions (See page 32).



IMPORTANT! READ CAREFULLY PRECAUTIONS FOR INSTALLATION AND OPERATION OF PNEUMATIC DIE CUSHIONS DESCRIBED ON PAGE 2.

Catalog Number	*Overall Height (H) If Cushions Having A Maximum Draw Of						Ring Holding Pressure @ 100 psi
	2"	3"	4"	5"	6"	8"	
C-6	10 1/4	11 1/4					1.4 Tons
C-8	11 1/4	12 1/4	13 1/4				2.5 Tons
C-10		15 1/4	16 1/4	17 1/4	18 1/4		3.9 Tons
C-12		15 1/4	16 1/4	17 1/4	18 1/4		5.7 Tons
C-14		15 1/4	16 1/4	17 1/4	18 1/4		7.7 Tons
C-16		16 1/4	17 5/8	18 5/8	19 5/8		10.0 Tons
C-18		18 13/16	19 13/16	20 13/16	21 13/16		12.7 Tons
C-20			19 13/16	20 13/16	21 13/16		15.7 Tons
C-22			22 7/16	23 7/16	24 7/16		19.0 Tons
C-24			24 7/16	25 7/16	26 7/16	28 7/16	22.6 Tons

* These dimensions do not include pin pad, or lower nut on mounting rods.

** These dimensions include piston reinforcing plate.

Cushion Size	A	B	C	D	E	I	J
C-6	7 1/4	4	7	8 1/2	5 1/4	1/2-13	3/4
C-8	8 19/32	5 19/32	9	10	7	5/8-11	1
C-10	10 7/8	6 3/8	11	12 3/8	7 7/8	3/4-10	1
C-12	12	8 7/16	13 1/8	13 1/2	10	3/4-10	1
C-14	14 1/4	10 1/4	15 1/4	16 1/4	12 1/4	1-8	1 3/8
C-16	16 1/2	11	17 1/4	19	13 1/2	1 1/4-7	1 1/2
C-18	17 3/4	12 3/4	19 1/4	20 1/4	15 1/4	1 1/4-7	1 1/2
C-20	20 1/2	14 1/4	21 1/4	23 3/8	17 1/8	1 1/4-7	1 3/4
C-22	22 1/4	15 1/2	23 3/8	25 1/4	18 1/2	1 3/8-6	2
C-24	24	16 3/4	25 3/8	27 1/4	20	1 3/8-6	2

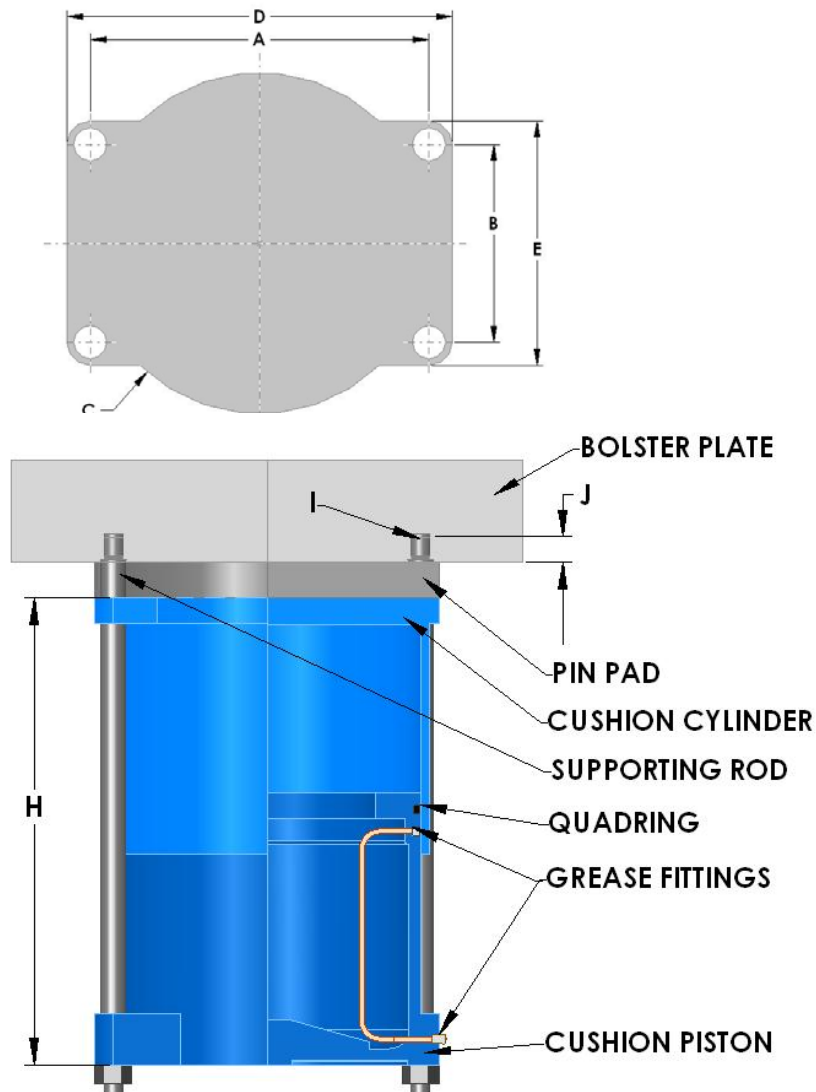


Fig. 4 Bolster plate mounted Model C cushion.

Installation Instructions

Model C Press Bed Mounting (With Supporting Structure)



IMPORTANT! Do not disassemble the cushion cylinder and piston when installing, because the packing will flare out and cause an air leak unless reassembled properly.

NOTE: All cushion installations are tested and inspected for air leaks before shipment.

The following is the recommended procedure for mounting a die cushion to the press bed of a press:

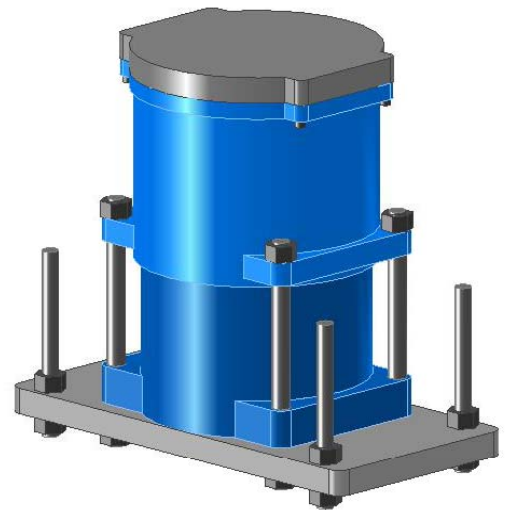


(1) Remove the bolster plate and check both surfaces carefully to make sure they are flat and parallel. **THIS IS IMPORTANT!** If surfaces are bowed and not parallel, have them machined so that the pin pressure pad of the cushion will have an accurate surface to stop against.

(2) Screw the ends of the suspension rods, "E", (See Fig. 6) with the short length of thread into the drilled and tapped holes in the press bed, which have been provided for mounting the die cushion. Make sure these rods are pulled up as far as they will go into the tapped holes. If the cushion is to be suspended from mounting bosses that are not tapped, the mounting rods are provided with nuts on both top and bottom of the bosses.

(3) With the use of skids or timbers, slide the cushion unit into the approximate location relative to the press bed opening. (**NOTE:** If the distance between the mounting rods at the front of the press bed is not enough to allow the cushion to pass between them, it is advisable to leave them out until after the cushion has been placed under the press bed opening.)

(4) Run on the upper adjusting nuts, "H", as far as they will go. Raise the cushion unit so that the rods pass through the holes in the mounting plate or mounting channels and run on the lower adjusting nuts, "H".



**Fig. 5 Model C Die Cushion
100 psi Max. Pressure**



(5) Prepare a measuring rod, "C" from 3/16" round steel for adjusting the height and alignment of the cushion unit. The over-all length of this rod should be equal to the overall height of the cushion when expanded, plus the thickness of the pin pad minus 1/8". **The 1/8" is allowed to make sure that the pin pressure pad comes to rest against the bottom of the bolster plate.**

(6) With a large parallel, "A", laid on top of the press bed, (See Fig. 6) line up the supporting structure at the four points marked, "X", by using the measuring rod, "C". The adjustment and alignment of the mounting plate at these four points must be held to a maximum tolerance of 1/64" avoid a tilting action. After this adjustment is obtained, lock the upper adjusting nuts on the mounting plate, which will secure the cushion unit in correct parallel alignment and relative height in connection with the top of the press.



PRECAUTION: It should be remembered that the adjustment of the nuts on the suspension rods should allow the pin pressure pool to extend 1/8" above the press bed when the cushion cylinder is fully expanded and the bolster plate removed. The Model "C" cushion is fully expanded when the stop rods, "D", are up against the bottom of the mounting plate.

(7) Install combination reducing and regulating valve and pressure gauge, as well as high pressure hoses, according to detailed instructions on page 14.

(8) If surge tank is to be used with the cushion installation, turn to page 16 for detailed instructions on the installation of surge tanks. If no surge tank is to be used, plug up the hole in the bottom flange of the cushion with the **pop safety valve** provided for this purpose.

(9) Each cushion unit is completely lubricated before shipping; however, it is advisable to lubricate each fitting until grease emerges from between the piston and cylinder walls before cushion is put into operation. The same procedure should be followed after **every 8 hours** of operation. As a result of careful tests and experimental research the Dayton Die Cushions has developed a specially compounded lubricant for die cushions (See page 32).



IMPORTANT! READ CAREFULLY PRECAUTIONS FOR INSTALLATION AND OPERATION OF PNEUMATIC DIE CUSHIONS DESCRIBED ON PAGE 2.

DIMENSIONS FOR DETERMINING LENGTH OF THE MEASURING ROD, "C"

EXAMPLE: On a Model C-6 with a 2" draw, the overall height is 10 1/4", and assuming the thickness of the pin pas is 1", it would make a total height of 11 1/4". By subtracting 1/8" from this figure as described in Paragraph (5), the length of measuring rod, "C" would be 11 1/8".

Catalog Number	Overall Height (H) If Cushions Having A Maximum Draw Of					
	2"	3"	4"	5"	6"	8"
C-6	10 1/4	11 1/4				
C-8	11 1/4	12 1/4	13 1/4			
C-10		15 1/4	16 1/4	17 1/4	18 1/4	
C-12		15 1/4	16 1/4	17 1/4	18 1/4	
C-14		15 1/4	16 1/4	17 1/4	18 1/4	
C-16		16 5/8	17 5/8	18 5/8	19 5/8	
C-18		17 7/8	18 7/8	19 7/8	20 7/8	
C-20		17 7/8	18 7/8	19 7/8	20 7/8	
C-22		20	21	22	23	
C-24		22	23	24	25	27

NOTE: Dimension "M" equals the maximum draw **only** when adjustment nut is fully extended.

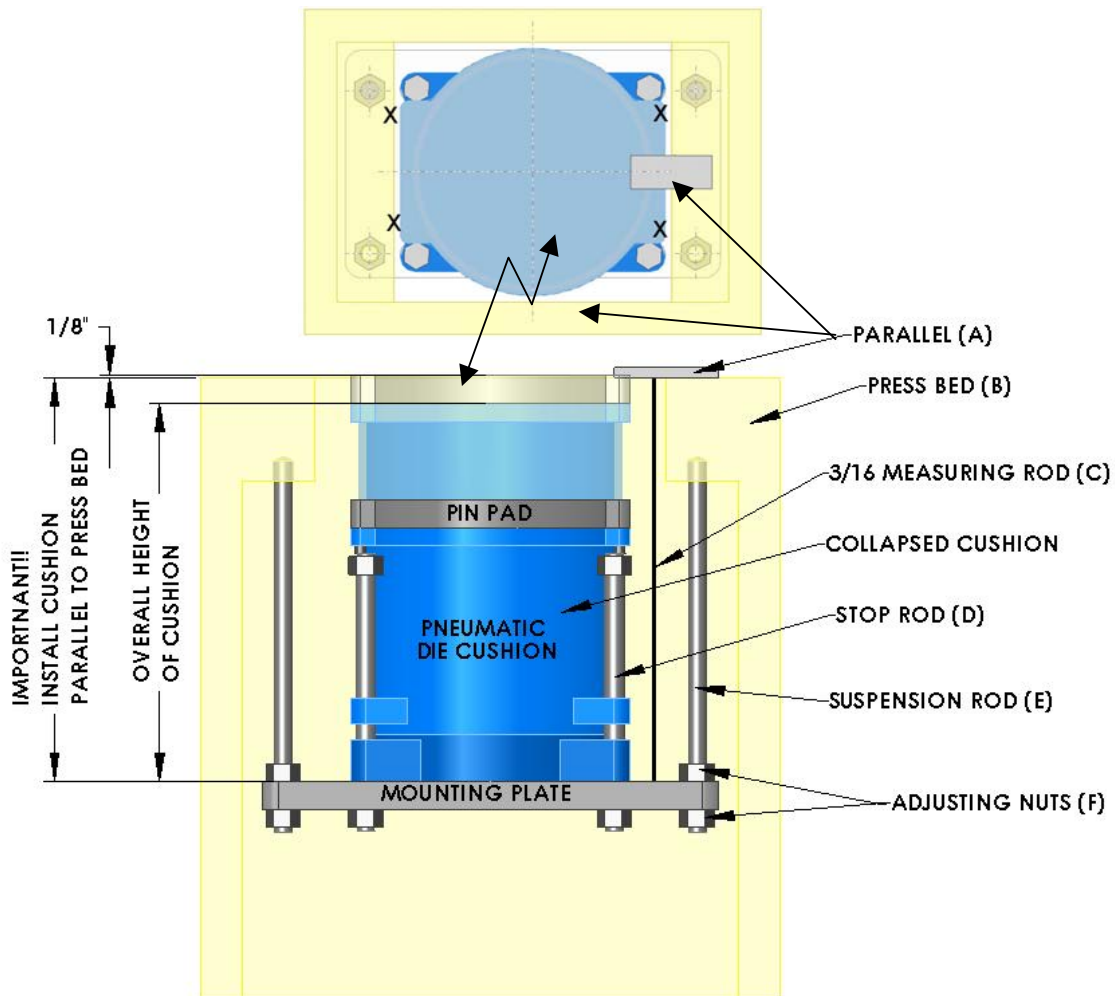


Fig. 6 Press bed Mounted Model C cushion.

Instructions for Installing Multiple Cushions Installations (Models 2C, 3C, 2MC, etc.)

As a general rule, each multiple cushion installation requires special consideration in the design of the mounting structure. Consequently, it is usually necessary to create the installation drawings showing all the details as applied to each installation. These drawings are sent to the customer to be used when installing the cushion installation.



When installing a multiple cushion, it is very important that the bolster plate or any other surface against which the pin pad is to stop be flat and parallel. If the bolster or other surfaces are not flat and parallel, they should be machined so that the pin pad will have an accurate surface for a positive stop.



It is also important that the mounting plate or structure be aligned so that it is parallel with the top of the press bed and adjusted to the correct height. Since practically all multiple installations are mounted on a supporting structure, the instructions for press bed mounting on page 8 must be followed. The method for determining the height from the top of the press bed to the mounting plate or structure must be altered on some designs as follows:

MODELS 2C, 3C, 2HC, 2MC, ETC.

When installing a 2C, 3C, etc., installation as shown in Fig. 7, the height from the top of the press bed to the mounting channels is determined by taking the overall height of the cushion plus the thickness of the pin pressure pad, minus 1/8". However, since spacers have been added between the bottom of the cushion unit and the top of the mounting channels, it is necessary to add the height of these spacers.

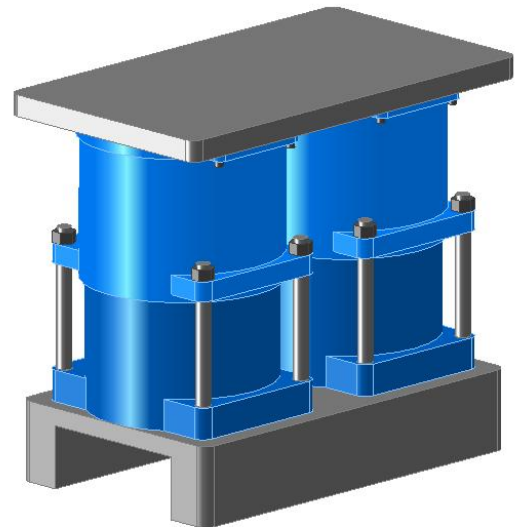


Fig. 7 2C12 PBM Die Cushions



Refer to page 16 for detailed instructions for installation of surge tank or tanks. It is important to note that surge piping for multiple installations with common pin pads must provide common interconnection between all cushions and surge tank or tanks. Regulating valve can be connected to any cushion in system (page 14) and air inlets in the remaining cushions can be plugged.

PARTS LIST AND ACCESSORIES

FOR

PNEUMATIC DIE CUSHIONS

Should it be necessary to order repair parts, always give the **Cushion Model, Serial Number and Key Number** of the part. The serial number is stamped at the front of the lower left-hand flange of each cushion unit. The cushion model and maximum drawing depth is stamped on the same plate of each cushion unit. This information is very important, as it enables us to give prompt service, which we cannot do unless we know the exact cushion on which the new parts are to be used. It is seldom advisable to make your own repair parts, since the manufacturer has an accurate record of all parts for your pneumatic die cushion equipment and can furnish them directly from stock at a nominal charge.

In conclusion, remember there is no finer or better cushion built than the Dayton Die Cushions models. Remember, too, that no machine equipment, regardless of how well it is designed and built, will stand up for a long period under abuse, neglect or indifferent treatment. A careful study of the instructions in this book will insure you years of uninterrupted service.



Cushion Surge Size

Pipe Size Required from Cushion Unit to Surge Tank

Model C

Cushion Size	Number of Cushion Units					
	1	2	3	4	5	6
C-6	1/2" NPT	3/4 " NPT	1 1/4" NPT	1 1/4" NPT	1 1/4" NPT	1 1/2" NPT
C-8	1/2" NPT	3/4" NPT	1 1/4" NPT	1 1/4" NPT	1 1/4" NPT	1 1/2" NPT
C-10	3/4 " NPT	1 1/4" NPT	1 1/2" NPT	2" NPT	2" NPT	2" NPT
C-12	3/4" NPT	1 1/4" NPT	1 1/2" NPT	2" NPT	2" NPT	2" NPT
C-14	1" NPT	1 1/2" NPT	2" NPT	2 1/2" NPT	2 1/2" NPT	3" NPT
C-16	1 1/4" NPT	2" NPT	2 1/2" NPT	3" NPT	3" NPT	
C-18	1 1/4" NPT	2" NPT	2 1/2" NPT	3" NPT	3" NPT	
C-20	1 1/4" NPT	2" NPT	2 1/2" NPT	3" NPT	3" NPT	
C-22	1 1/2" NPT	2 1/2" NPT	3" NPT			
C-24	1 1/2" NPT	2 1/2" NPT	3" NPT			



Installation Instructions and Parts List

Combination Reducing Regulating Valve and Pressure Gauge

When installing a Dayton Die Cushions Combination Regulator and Pressure Gauge on a pneumatic die cushion installation, high pressure hoses should be used from the regulator to the cushion unit. A brass or steel pipe may be used; however, a high pressure hose is long-lived, and does absorb the shock of the press on the working equipment of the regulator as well as the pressure gauge.

The Combination Regulator and Gauge, which is furnished with a bracket, should be installed on the left-hand side of the press bed frame. It should be mounted approximately five or six feet from the floor within easy reach and view of the operator.

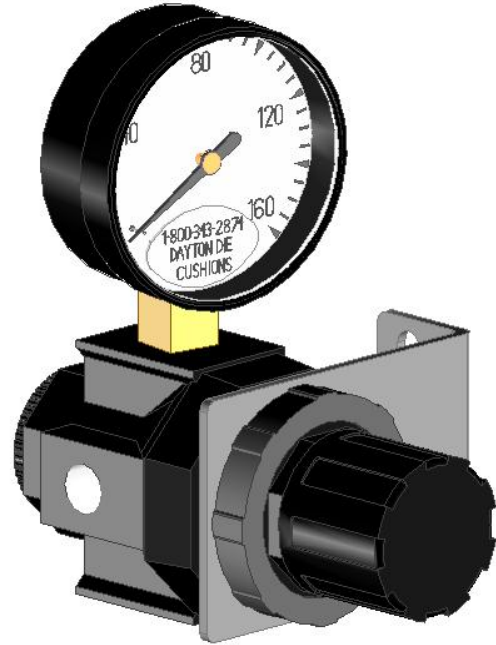


Fig. 8 Regulator and Gauge Assembly

It is very important that the vibration dampener be used when mounting the regulator in order to remove as much of the press shock from the regulator and gauge as possible. After the shop air line has been piped to within 2 or 2 1/2 feet of the pressure regulator, it is advisable to provide a globe shut-off valve on the end of the pipe so that the air pressure can be turned off when the cushion is not in use.

PRECAUTION



After the globe shut-off valve has been attached to the shop air line, be sure to blow out the shop air line to remove any foreign matter or dirt before connecting the short length of hose from the globe shut-off valve to the inlet side of the pressure regulator. If this precaution is not taken, there is a possibility a small piece of dirt will get under the seat of the regulator valve and it will not function properly. Also, note that the regulator openings are marked with an arrow to indicate direction of flow so that the air hoses can be connected to correct side for proper operation.

The 6-foot high pressure hose connects the outlet side of the regulator and the model C, D, MC and MD cushion through the cross, as shown in Fig. 18.

By recording the pressure required for a given job when it is first set up, it is an easy matter to reset the same die equipment at a later date by merely setting the pressure on the pressure gauge according to this reading.

The 1/4" size regulator and gauge assembly, part number 1502 (see Fig. No. 8) is furnished as standard equipment with all C, D, MC and MD cushion installations.

Pressure Gauge

The gauges supplied by Dayton Die Cushions have safety backs and 1/4-inch pipe thread on the inlet. Pressure gauge is part of reducing regulating valve assembly used for models C, D, MC and MD. Also, each surge tank is supplied with the appropriate pressure gauge.

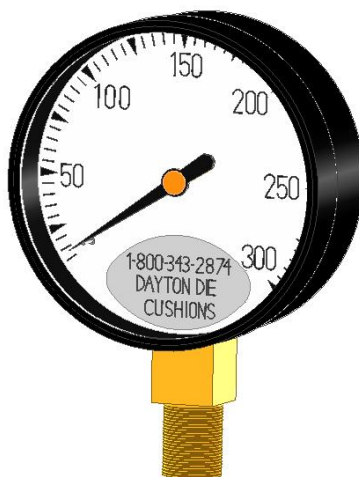


Fig. 9 Part Number 284 Low Pressure Gauge

Part Number	Dial Reading	Graduation Intervals	Diameter
284	160 lbs.	2 lbs.	2 1/2 "



Surge Tanks

On deep-drawing operations where the pin pressure pad is deflected to the maximum drawing capacity of the pneumatic die cushion, a surge tank reservoir is used so that the air compressed in the cushion cylinder will not build up to prohibitive pressure at the bottom of the work cycle of the press. The larger the surge tank used, the more constant the ring holding or pad pressure will be throughout the work cycle. Too small a surge tank or one connected with too small a pipe will cause a noticeable increased pressure during the work cycle of the pneumatic die cushion unit.

The size of the surge tank required depends on the combined piston area and the depth of the draw. **The volume of the tank plus the volume of the cushion when inflated should be six times the displacement of the cushion at maximum draw.** The pipe connection from the cushion to the surge tank should be sufficiently large to permit a free flow of air from the cushion to the surge tank. The pipe sizes given in the table below are the recommended sizes for cushion installations consisting of one to six cushion units.

All cushion units are drilled and tapped for the correct size surge line to handle the flow of air required. On multiple units a reducing bushing for the correct size is furnished to give the proper air flow for the entire installation. Each cushion installation should have its own surge tank, as the pressure in the cushion unit and the surge tank is practically the same at all times. This would make it impossible to use one surge tank for two cushion installations, particularly if they were being run under different air pressures.

It is advisable to install the surge tank as close to the cushion unit as possible to minimize the flow of air through surge lines. The surge tank itself may be installed in either a horizontal or vertical position. Each surge tank is provided with the required number of outlets for making either of the above installations.

All surge tanks furnished with pneumatic die cushions include pop safety valve, pressure gauge and drain cock. Tanks furnished with C installations have pop safety valve set to relieve at 125 psi. All tanks are built to ASME and National Board of Registration Standards and are furnished with certified code tag.



Fig. 10 Surge Tank

REPAIR PARTS FOR SURGE TANK AND ACCESSORIES

If it becomes necessary to order replacements parts for a surge tank and its accessories, order by part number according to the part list below.

Tank Number	Size	Volume	Outlet Port Size	Shipping Weight
6301	12 x 33	12 gal.	2" NPT	76 lbs.
6302	12 x 45	18 gal.	2" NPT	100 lbs.
6303	16 x 47	33 gal.	2 1/2" NPT	157 lbs.
6304	18 x 55	51 gal.	3" NPT	250 lbs.

Surge Tank Assembly	
Description	Part Number
	Low Pressure Cushions
Surge Tank	See table above
Pop Safety Valve	285
Pressure Gauge	284
Surge Drain Cock	443

Please contact Dayton Die Cushions for bigger surge tank sizes.



Lubrication

Instructions and Parts List

All Dayton Pneumatic Die Cushions are thoroughly lubricated at the factory prior to shipment. It is advisable, however, to lubricate each fitting until grease emerges from between the piston and cylinder walls before cushion is put into operation. The same procedure should be followed after **every 8 hours** of operation. If the cushion is permitted to stand idle for a period of two or three weeks, the grease may dry out and as a result the packing will become hard and will possibly cause an air leak until it has softened up sufficiently. It may be necessary in some cases to inject grease into the lubrication system to soften up these packings so that they will retain their resiliency. A standard automotive pressure grease gun can be used on all lubricating fittings on Dayton pneumatic die cushions.

DO NOT USE AN ORDINARY CUP GREASE, AS IT WILL NOT DISTRIBUTE ITSELF PROPERLY OVER INTERIOR SURFACES OF THE CYLINDER AND PISTON WALLS LUBRICANT ESPECIALLY COMPOUNDED FOR DIE CUSHIONS IS AVAILABLE FROM DAYTON DIE CUSHION IN 35-LB. PAILS. SEE PAGES 73 AND 74 FOR DETAILS.



CAUTION!! Failure to lubricate as instructed may result in permanent mechanical damage to internal working parts of die cushion. This may result in seizure of unit and the possibility of injury to operating personnel.

Pressure fittings are located either at the front or on the side of each individual model C, D, MC and MC the cushion piston.

Under severe vibrating conditions the 3/16" copper tubing, "D" (see Fig. 11), may have a tendency to fracture just behind compression sleeve "C". In the event an air leak develops, this can be very readily checked by removing compression fitting "F", and inspecting the compression sleeve to make sure the seat is tight against the cushion piston and that no fractures are visible in the tubing.

Instructions for Grease Fittings Installation

To install grease fittings located in the lower flange part of the low pressure cushion piston, please follow these steps.

1. Put the copper tube from the inside of the cushion through the drilled hole. Place the compression sleeve (part no. 867) onto copper tube from the outside of the cushion and slip it inside the drilled hole.
2. Use compression fitting (no. 870) to compress the sleeve on the copper tubing against the walls of the hole drilled in the piston flange while tightening it.
3. Press the grease fitting (no 625) into the compression fitting. Make sure that copper tubing is deep enough inside the compression fitting so that the grease fitting fits inside the compression fitting (as shown in Fig. 11).
4. Retighten the compression fitting.

To install grease fittings located in the top part of the low pressure cushion piston, please follow these steps.

1. Take the copper tube from the inside of the cushion and run it through the drilled hole. Place the compression sleeve (part no. 867) onto the copper tube and slip it inside the drilled hole.
2. Use the compression fitting (no. 870) to compress the sleeve onto the copper tubing.
3. Remove the compression fitting and take out the copper tubing with the compression sleeve on it.
4. Smear the sleeve's surface with Permatex.
5. Put the sleeve back into the hole and tighten the grease screw (#868).

Low Pressure Standard Lubrication Layout

	DESCRIPTION	PART NUMBER
A	Cushion Cylinder	-
B	Grease Screw	868
C	Compression Sleeve	867
D	Copper Tubing	629
E	Compression Sleeve	867
F	Compression Fitting	870
G	Grease Fitting	625
H	Cushion Piston	-

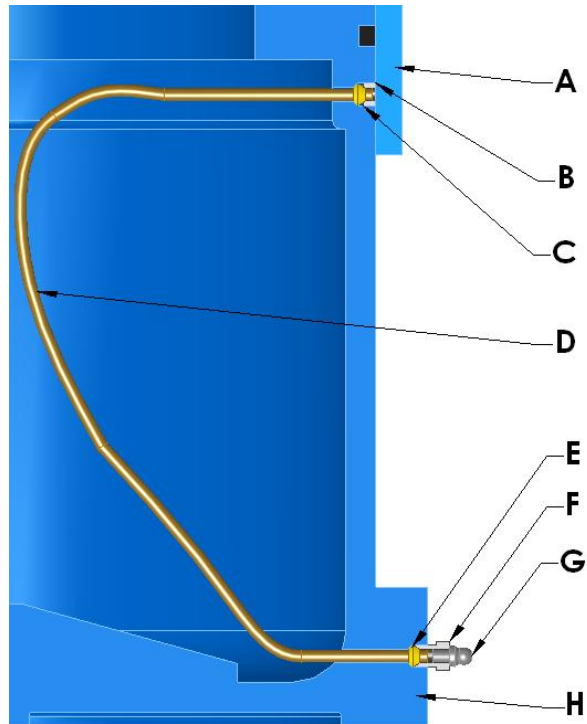


Fig. 11 Model C, D, MC and MD Lubrication

Centralized Lubrication

On some installations, particularly in the larger sizes, the press bed is so constructed that the grease fittings are not accessible. The lubrication of the cushion unit on installations of this type can be easily provided for by centralized lubrication. The centralized lubrication system consists of a header block (see Fig. 12) and 3/16" copper tubing that connects this header block directly to the die cushion unit. The header block is provided with as many grease fittings as there are in the complete cushion installation. These header blocks can be placed in any convenient location on the press and will permit easy and positive lubrication of all the necessary points on the cushion units. In addition to the copper tubing, all other fittings required for making the complete installation are furnished. This principle can be applied equally to both low and high pressure installations.

After centralized lubrication system has been installed, fill the lines with grease until it emerges from between the piston and cylinder walls. Check again after 8 hours operation to see how many shots are necessary to again cause grease to emerge. Thereafter lubricate this amount every 8 hours of operation.

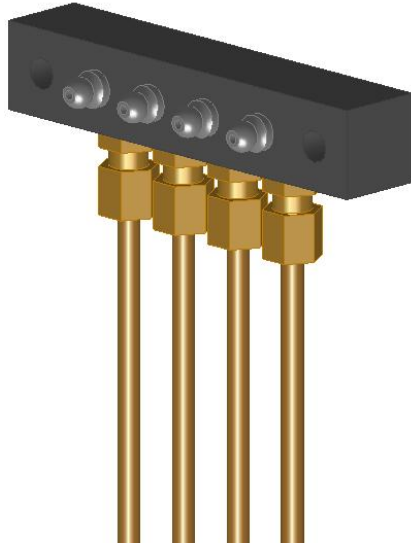


Fig. 12 Header Block with Grease Lines Connected to it.

Header Block Part List

	DESCRIPTION	PART NUMBER
A	Header Block	Refer to table below
B	Grease Fitting	625
C	Male Connector	2853
D	Compression Sleeve	867
E	Nut	6407
F	Copper Tubing	629

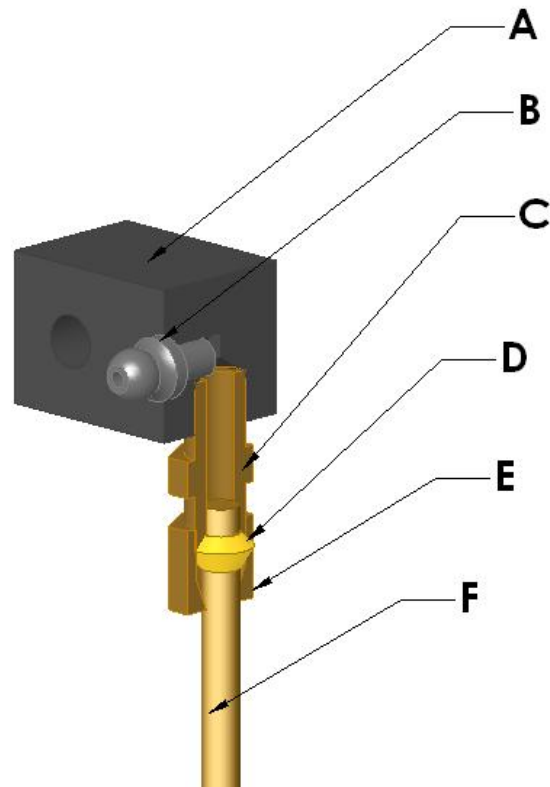


Fig. 13 Section view through the header block

Number of Header Block Stages	Part Number
2 Stages	6985
4 Stages	703
8 Stages	637

Grease Fittings Part List for Low Pressure Cushions

	DESCRIPTION	PART NUMBER
A	Compression Sleeve	867
B	Compression Union	869
C	Nut	6407
D	Compression Sleeve	867
E	Copper Tubing	629

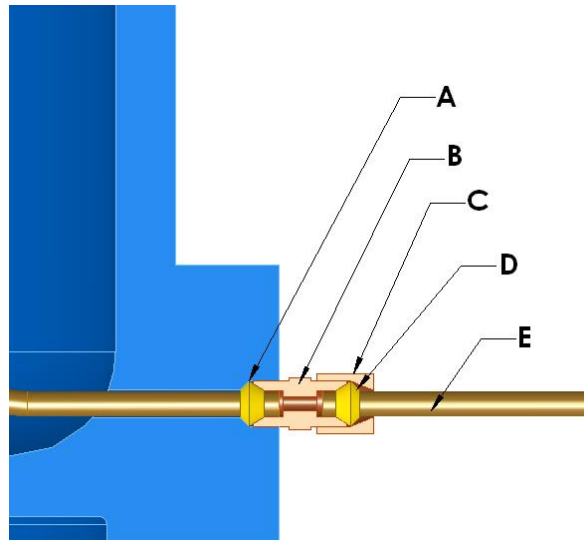


Fig. 14 Centralized lubrication fittings on the low pressure die cushion.

Repair Parts

If it becomes necessary to order repair parts for the lubrication system on a pneumatic die cushion, please specify the quantity of items required, and the part number as shown in the part list tables above.

Pneumatic Packings

Dayton Die Cushions Packings are of first quality material, thus assuring long wear and dependability under strenuous conditions. When ordering packings, please give model, size and serial number of cushion as well as part number of the packing.

There has been a **change in the type of packing** used on several models. Serial number higher than the one listed below for particular cushion model use quad packing instead of cup packing. Please refer to the tables below to check what type of packing your cushion uses.

Model C Piston Packings				
	Piston Diameter	Cup Packing Part Number	Quad Ring Part Number	Cushion Serial Number *
C-6	6"	495	8312	19762
C-8	8"	169	8335	19603
C-10	10"	490	8700	19570
C-12	12"	492	10109	19238
C-14	14"	179	9878	19187
C-16	16"	168	10110	19230
C-18	18"	650	10687	19646
C-20	20"	970	10688	19609
C-22	22"	1104	15393	19642
C-24	24"	798	15394	19384

* Quad Ring Packings used after this Serial Number.

Installation Instructions

Cup Packings

PRECAUTION: When installing a cup packing, be careful not to damage or turn back the lip. This can be avoided by making a clamping band as shown in Fig. 15 from 16-gauge band iron, 1/2" to 1/8" wide. The ends of this band iron with two holes pierced to receive an ordinary stove bolt should be bent so that the circumference is a little less from bend to bend than the circumference of the piston of the pneumatic die cushion unit on which it is to be use.

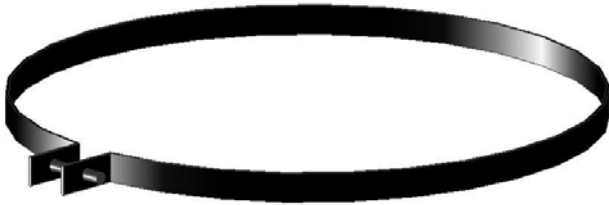


Fig. 15 Clamping band

	Description
A	Cushion Cylinder
B	Cup Packing
C	Clamping Band
D	1/4" Lockwasher (Part No. 438)
E	Cup Packing Ring
F	1/4"-20 x 3/4" Allen Cap Screw (Part No. 441)
G	Cushion Piston

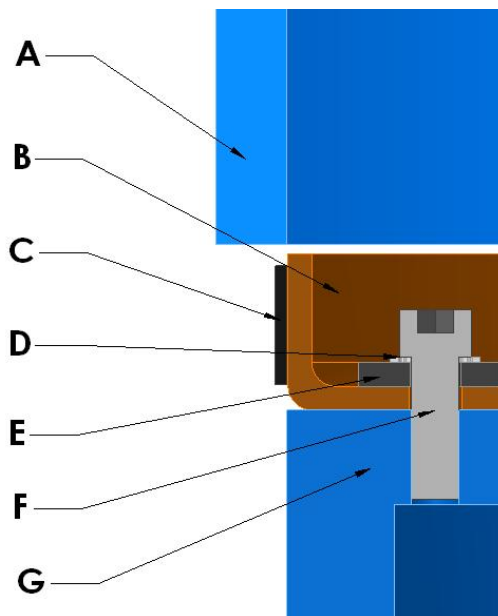


Fig. 16 Cup Packing Installation

Installation Instructions

Quad Packings

When installing quad packings it is advisable to grease the packing and groove thoroughly before cylinder is installed. Cylinder should be eased over packing to prevent shearing or gouging during installation.

CAUTION: It is advisable to check the 3/16" metal greasing tubes while the cushion unit is disassembled, because severe vibration may cause them to fracture at times. The lubrication instructions given on Page 18 will explain the procedure to follow in checking the lubrication system.

	Description
A	Cushion Cylinder
B	Quad Packing
C	Lubrication Tubing
D	Cushion Piston

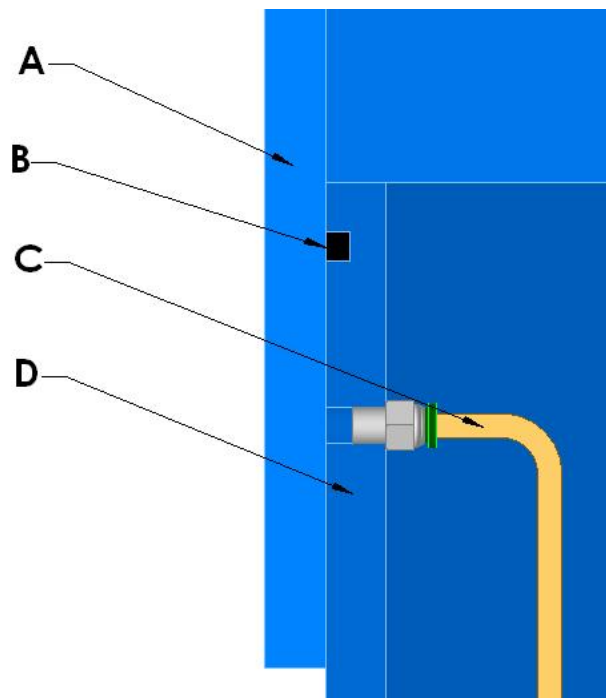
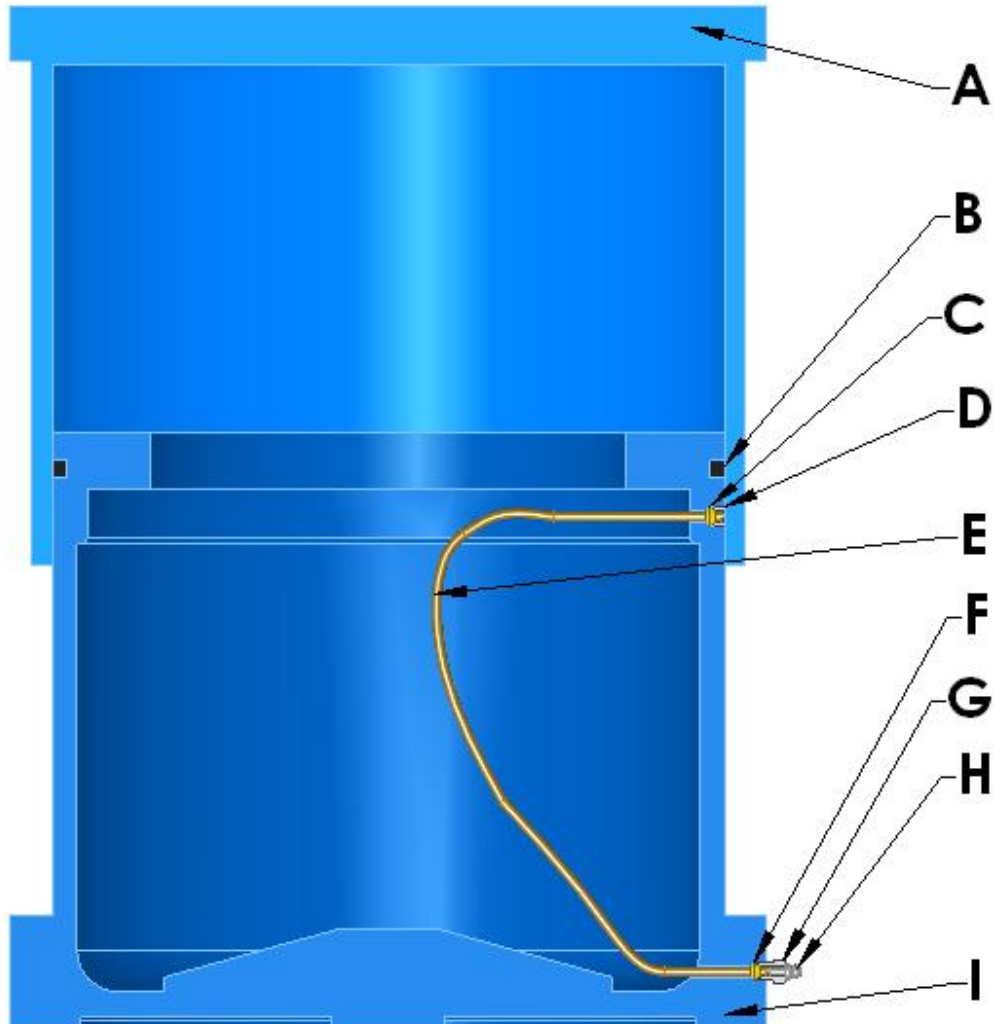


Fig. 17 Quad Ring Installation

Model C Parts List

IMPORTANT: When ordering repair parts, be sure to indicate cushion model and size, serial number and part number on purchase order to avoid errors.



Model C Parts List

Description		Cushion Diameter and Part Number				
		6"	8"	10"	12"	14"
Cushion Cylinder ^(a)	A	7429	4231	4170	4141	4142
Quad Ring	B	8312	8335	8700	10109	9878
Compression Sleeve	C	867	867	867	867	867
Grease Screw	D	868	868	868	868	868
Copper Tubing	E	629	629	629	629	629
Compression Sleeve	F	867	867	867	867	867
Compression Fitting	G	870	870	870	870	870
Grease Fitting	H	625	625	625	625	625
Cushion Piston ^(a)	I	222	318	306	311	309

Description		Cushion Diameter and Part Number				
		16"	18"	20"	22"	24"
Cushion Cylinder ^(a)	A	4143	5681	5682	4146	5683
Quad Ring	B	10110	10687	10688	15393	15394
Compression Sleeve	C	867	867	867	867	867
Grease Screw	D	868	868	868	868	868
Copper Tubing	E	629	629	629	629	629
Compression Sleeve	F	867	867	867	867	867
Compression Fitting	G	870	870	870	870	870
Grease Fitting	H	625	625	625	625	625
Cushion Piston ^(a)	I	556	649	969	1103	797

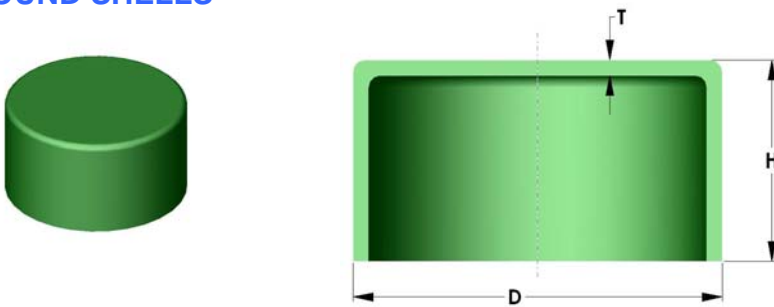
(a) When ordering cylinders and cushion pistons, order according to cushion model and serial number (Serial Number is located at the front, lower flange of the cushion unit)

Tonnage and Ring Holding Force Necessary for Drawing Shells*

A. Tonnage for Drawing Shells

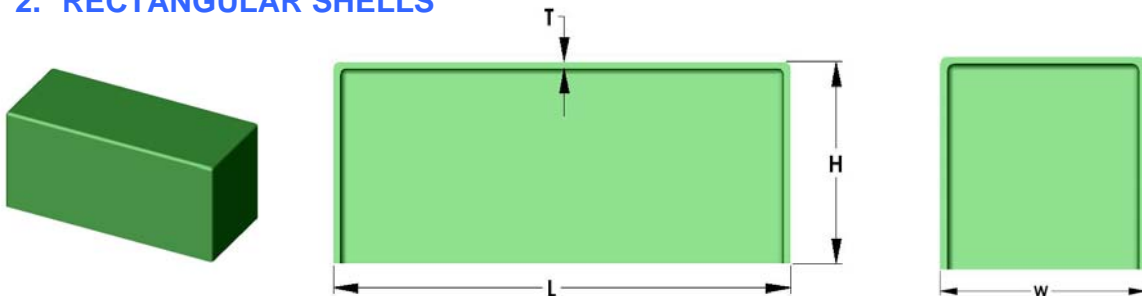
In general, the tonnage necessary to draw a shell of round or rectangular shape is a function of the area of metal in the wall (i.e. = mean perimeter and metal thickness). This is true because at any given time, the force necessary to deform the metal equals the area of metal being deformed multiplied by the yield strength of the material. (In calculating these forces tensile strength is used, since this will either draw the part, push out the bottom or tear the walls). This is generally true for parts having odd shapes, although there are other factors involved which complicate the operation.

1. ROUND SHELLS



$$\text{TONNAGE} = \frac{\pi \cdot D \cdot T \cdot \text{TENSILE STRENGTH}}{2000}$$

2. RECTANGULAR SHELLS



$$\text{TONNAGE} = \frac{2(L + W) \cdot T \cdot \text{TENSILE STRENGTH}}{2000}$$

*This information is general and should be treated as such. Specific forces must be determined for each job.

Mechanical punch presses are designed to deliver their maximum tonnage near the bottom of the stroke. Since drawing work actually starts before bottom, the full tonnage will not be available. The above results, therefore, should be multiplied by .G. factor (Chart 1) when this type press is used.

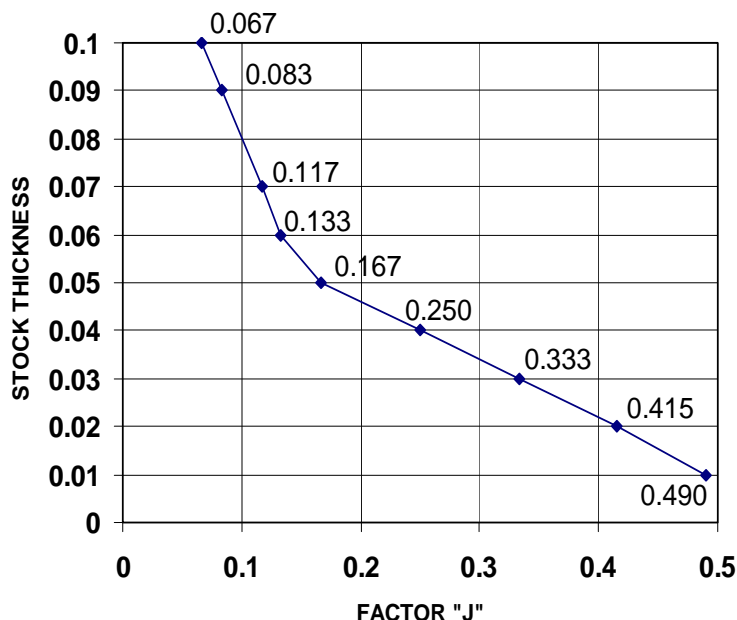
H	"G"	H	"G"	H	"G"	H	"G"
1/2	1	3	1.75	10	3	18	4.0
1	1	4	2	12	3.25	20	4.25
1 1/2	1.5	6	2.5	14	3.5	22	4.5
2	1.5	8	2.75	16	3.75	24	4.75

FACTOR "G" CHART 1

B. Ring Holding Pressure or Force

The primary function of the draw ring is to hold the blank while it is being formed to prevent wrinkles. Since the resistance to wrinkling becomes greater as the metal thickness increases, the necessary R.H.F. decreases. Experience indicates that a close approximation to the R.H.P. can be obtained by multiplying the tonnage required to draw the shell by "J" factor (Chart 2). **Note: Disregard "G" factor for this calculation.**

FACTOR "J" CHART 2



C. Press Tonnage

Size of press necessary to draw shell in question is as follows:

MINIMUM PRESS TONNAGE = SHELL TONNAGE PLUS CUSHION TONNAGE (R.H.P.)

D. Example

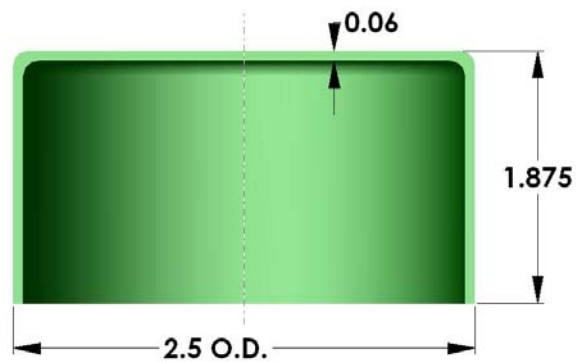
Determine the size of mechanical press required to draw the shell pictured.

$$DRAW\ TONNAGE = \frac{\pi \cdot (2.50 - 0.06) \cdot 0.06 \cdot 55,000}{2000} = 12.7\ T \cdot 1.5\ ("G") = 19.0\ T$$

$$CUSHION\ TONNAGE = 12.7\ T \cdot 0.133\ ("J") = 1.7\ T$$

$$MINIMUM\ MECHANICAL\ PRESS\ TONNAGE = 19.0\ T + 1.7\ T = 20.7\ T$$

$$MINIMUM\ HYDRAULIC\ PRESS\ TONNAGE = 12.7\ T + 1.7\ T = 14.4\ T$$



Tonnage Capacities on Presses

Capacity of Crankshafts at the Bottom of the Stroke					
Crank Shaft Dia. (inches)	Tons		Crank Shaft Dia. (inches)	Tons	
	Single Crank Press	Double Crank Press		Single Crank Press	Double Crank Press
1 3/8	6	...	6 1/2	150	150
1 1/2	7.5	...	7	180	180
1 5/8	9	...	7 1/2	215	215
1 3/4	10.5	...	8	255	255
1 7/8	12	...	9	345	345
2	14	...	10	440	450
2 1/8	16	...	11	545	650
2 1/4	18	...	12	665	900
2 1/2	22	22	13	790	1150
2 3/4	26.5	26.5	14	920	1400
3	31.5	31.5	15	1060	1700
3 1/4	37	37	16	...	2000
3 1/2	43	43	16 1/2	1300	...
4	56	56	17	...	2300
4 1/2	71	71	18	1560	2700
5	88	88	20	1950	...
5 1/2	106	106	22	2380	...
6	126	126	24	2860	...

The tonnage figures do not apply to end wheel type of presses with overhanging crank-pin.

It is customary to equip the average punch press with a pneumatic die cushion that will develop a drawing holding pressure equal to one-sixth the total press tonnage. However, present practice indicates a trend toward cushion ratios approaching one fifth of the press tonnage. On the average inclinable press, it is usually desirable to use an HC or MC type installation because the press bed opening is not large enough to permit installation of a C or D cushion that will develop enough ring holding pressure.

To figure the draw-ring holding pressure produced by a pneumatic die cushion, multiply the area of the piston or pistons in square inches by the air pressure applied. For example, if an 8" diameter cushion is used which has a piston area of 50 square inches and the working pressure supplied from the shop air line is 50 pounds per square inch, the ring holding pressure developed would be 50 times 50 or 2,500 pounds pressure. In other words, the maximum ring holding pressure developed by an 8" diameter cushion on a 50-pound maximum shop air line would be 1 1/4 tons.

Die Cushion Lubricant for All Pneumatic Die Cushions



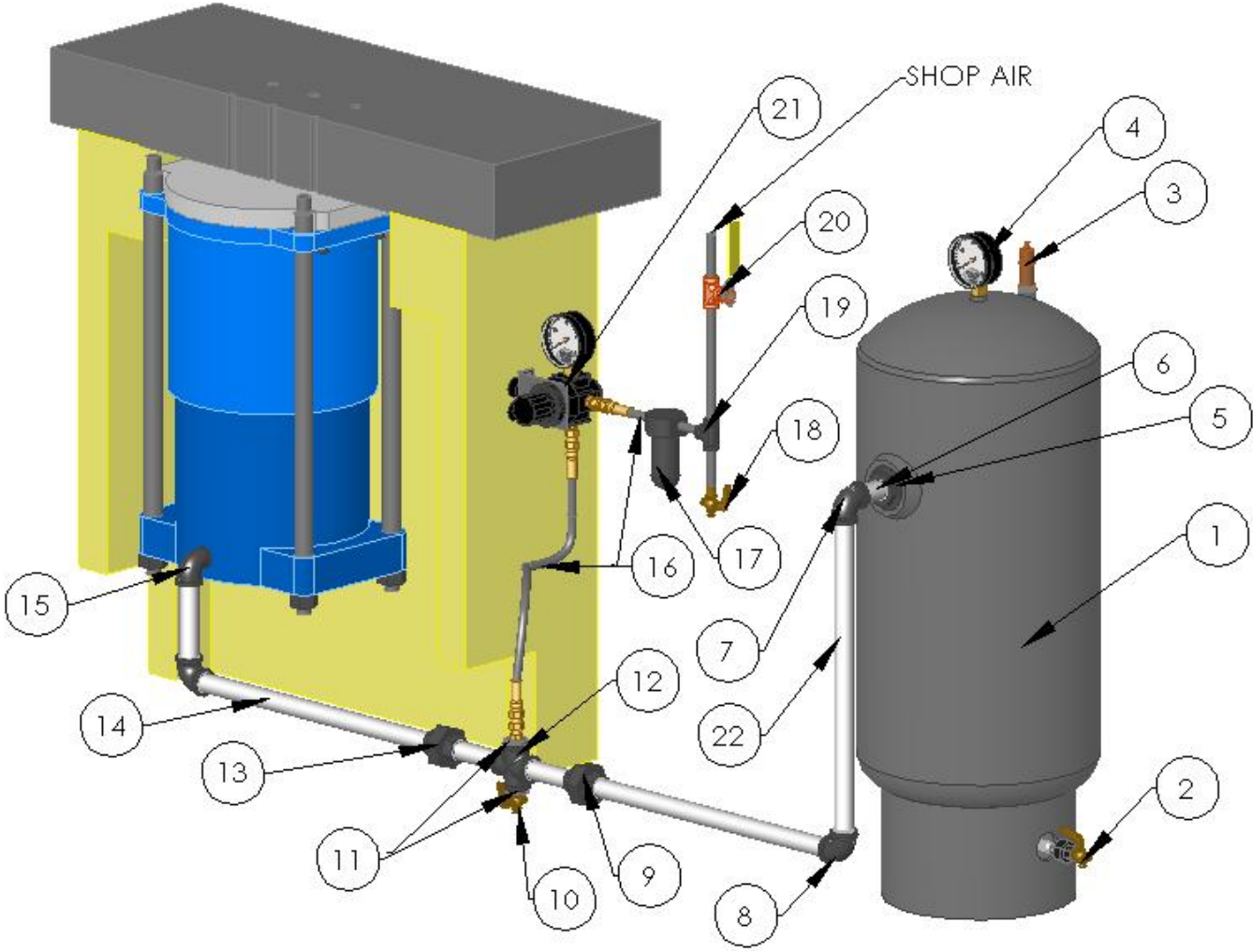
As a result of careful tests and experimental research work, this die cushion lubricant is especially compounded for all pneumatic the cushions. It assures maximum packing life and also provides proper lubricant between the cylinder and piston surfaces of the die cushion units and all other working parts.

It is available from stock in 35-pound pails direct from the Dayton Die Cushions.



LOW PRESSURE CUSHION PIPING LAYOUT (FIG. 18)

No.	Description
1	Surge Tank
2	Drain Cock
3	Pop Safety Valve
4	Gauge
5	Red. Bushing
6	Pipe Nipple *
7	Elbow *
8	Elbow *
9	Union *
10	Drain Cock
11	Red. Bushing
12	Cross
13	Union *
14	Pipe *
15	Elbow *
16	Hose
17	Air Filter *
18	Water Trap & Drain *
19	Tee *
20	Shut-Off Valve *
21	Regulator Assembly
22	Pipe *

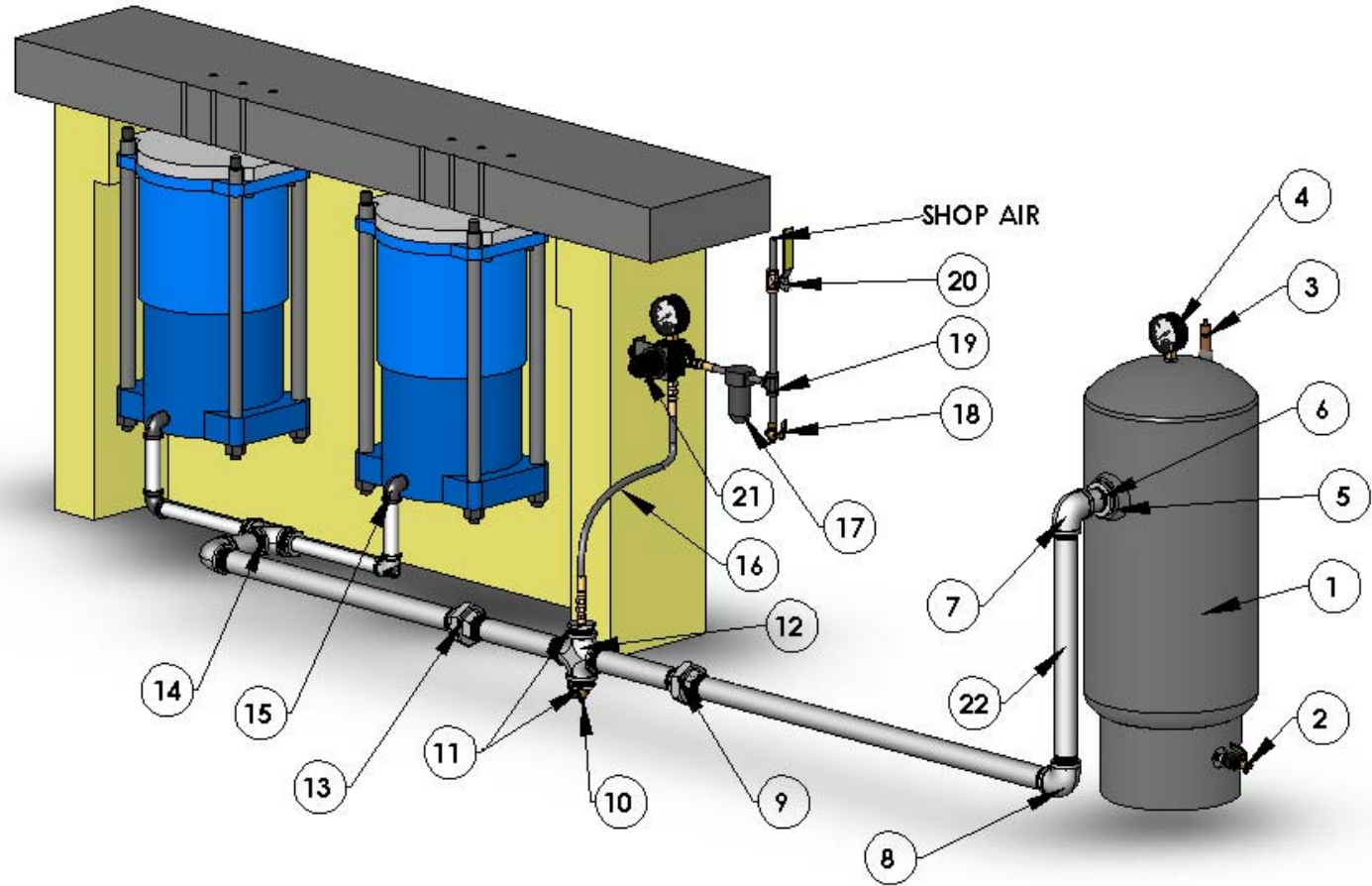


* Indicates furnished by customer

Note: Drain Cock at lowest point in system

MULTIPLE LOW PRESSURE CUSHIONS PIPING LAYOUT (FIG. 19)

No.	Description
1	Surge Tank
2	Drain Cock
3	Pop Safety Valve
4	Gauge
5	Red. Bushing
6	Pipe Nipple *
7	Elbow *
8	Elbow *
9	Union *
10	Drain Cock
11	Red. Bushing
12	Cross
13	Union *
14	Tee
15	Elbow *
16	Hose
17	Air Filter *
18	Water Trap & Drain *
19	Tee *
20	Shut-Off Valve *
21	Regulator Assembly
22	Pipe *



* Indicates furnished by customer

Note: Drain Cock at lowest point in system. See page 13 for correct surge line size. Surge line becomes larger once it is common between cushions. Plumbing needs to be symmetric for each of the cushions.