

Model "H-4B" Booster Pump

IMPORTANT: When ordering repair parts, be sure to indicate cushion model and size, serial number and part number on purchase order to avoid errors.

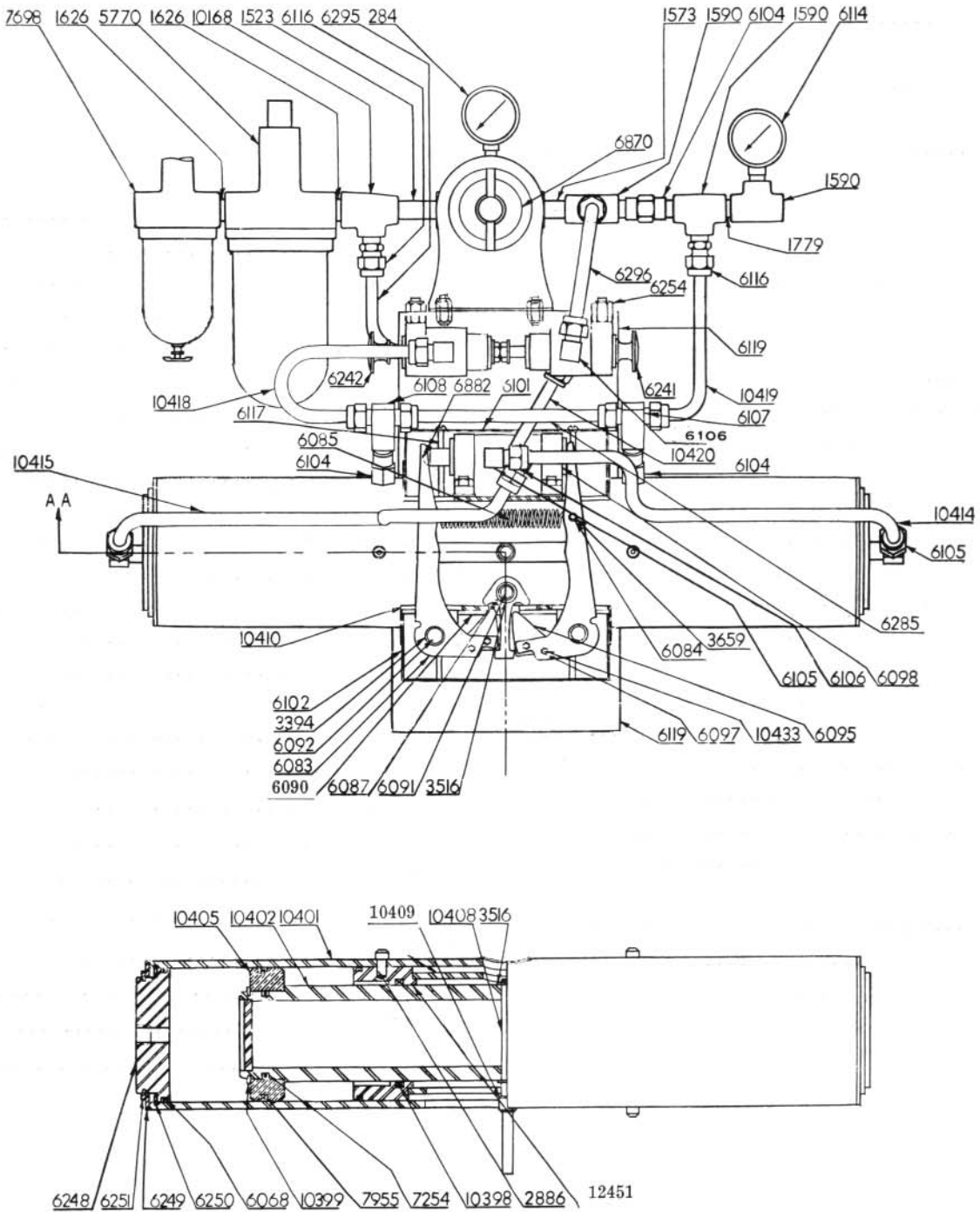


Fig. No. 79

MODEL "H-4B" BOOSTER PUMP PARTS LIST

DESCRIPTION	Part No.	DESCRIPTION	Part No.
Gauge	284	Valve, 2-Way Knob Operated R.H.	6242
Pipe Nipple	1523	Head	6248
Pipe Nipple	1573	Head Retainer	6249
Pipe Tee	1590	Truarc Retainer	6250
Pipe Nipple	1626	Truarc Retainer	6251
Pipe Nipple	1779	Hex-Nut	6254
Soc Head Cap Screw	2886	Tubing	6285
Truarc Retainer	3394	Tubing	6295
Truarc Retainer	3516	Tubing	6296
Truarc Retainer	3659	Regulator	6870
Bowl Lubricator	5770	Screw, Button Head	6882
O-Ring	6068	O-Ring	7254
Trip Arm	6083	Air Filter	7698
Spring Pin	6084	Quad Ring	7955
Spring	6085	Pipe Tee	10168
Pawl Assembly	6087	Quad Ring	10398
Pivot Plate	6090	Truarc Retainer	10399
Pawl Pin	6091	Main Cylinder Tube	10401
Trip Arm Pin	6092	Piston Rod Assembly	10402
Trip Arm Insert	6095	Connecting Pod	10402
Hex-Nut	6097	Movable Piston	10405
Valve, 4-Way	6098	Stationary Piston	12451
Valve Cover	6101	Trip Pin	10408
Trip Arm Cover	6102	Bearing	10409
Check Valve	6104	Mounting Bracket-Valve	10410
Male Elbow	6105	Tubing	10414
Extra Large Male Elbow	6106	Tubing	10415
Female Elbow	6107	Tubing	10418
Female Branch Tee	6108	Tubing	10419
Guage (300 PSI)	6114	Tubing	10420
Male Connector	6116	RD HD Machine Screw	10433
Mach Screw	6117		
Base Mounting Plate	6119		
Valve, 2-Way Knob Operated L.H.	6241		