

# Model "H-6" Booster Pump

**IMPORTANT:** When ordering repair parts, be sure to indicate cushion model and size, serial number and part number on purchase order to avoid errors.

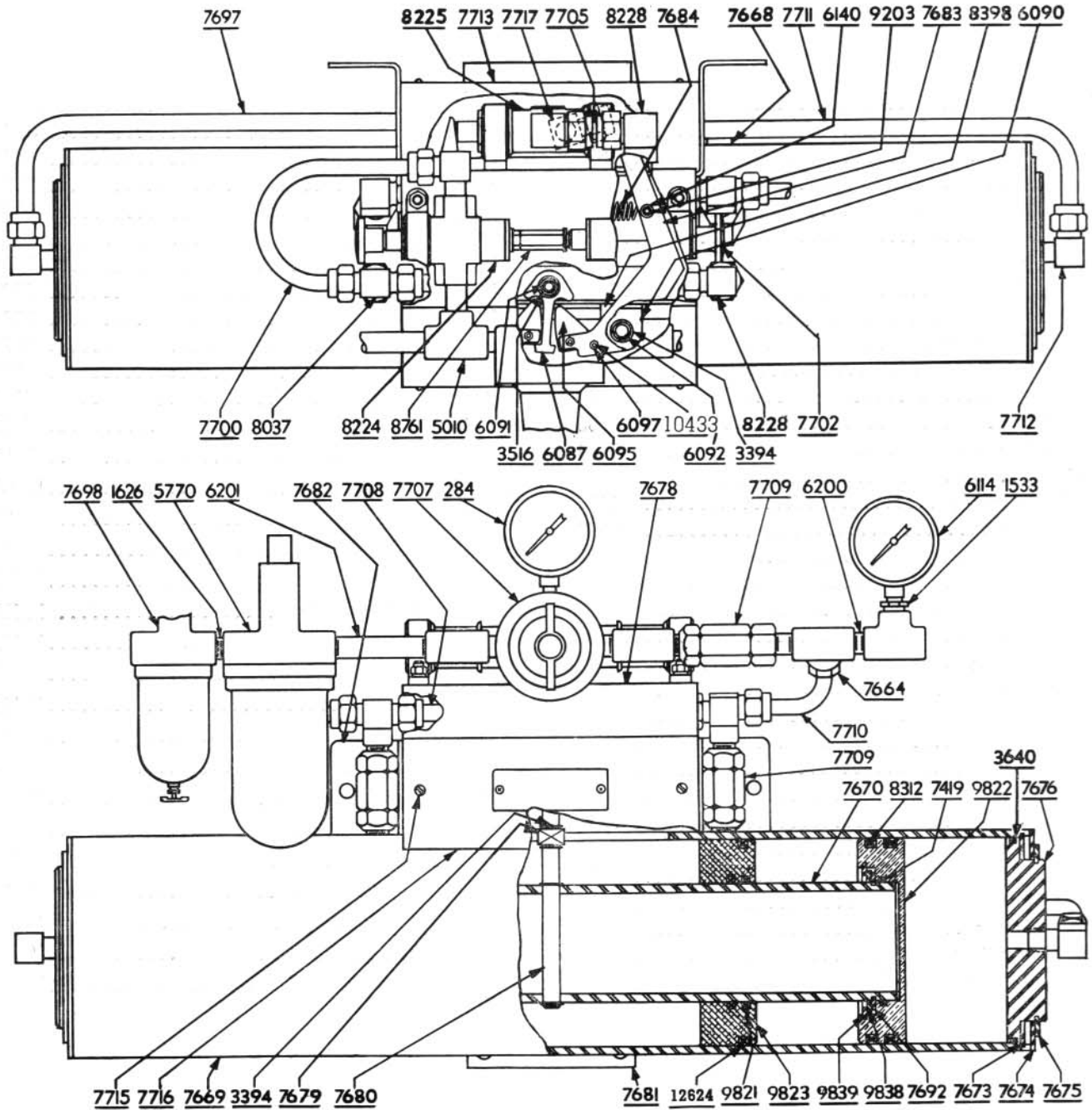


Fig. No. 80

## MODEL "H-6" BOOSTER PUMP PARTS LIST

DESCRIPTION	Part No.	DESCRIPTION	Part No.
Gauge (160) .....	284	Top Mounting Bracket .....	7682
Reducing Bushing .....	1533	Trip Arm .....	7683
Pipe Nipple .....	1626	Spring .....	7684
Retaining Ring .....	3394	Retaining Ring .....	7692
Retaining Ring .....	3516	Tubing .....	7697
"O" Ring .....	3640	Filter .....	7698
Pipe Tee .....	5010	Tubing .....	7700
Lubricator .....	5770	2-Way Valve .....	7702
Pawl Assembly .....	6087	Tubing .....	7705
Pivot Point Plate .....	6090	Pressure Regulator .....	7707
Pawl Pivot Pin .....	6091	Tubing .....	7708
Trip Lever Pivot Pin .....	6092	Check Valve .....	7709
Trip Arm Insert .....	6095	Tubing .....	7710
Machine Screw .....	10433	Tubing .....	7711
Locknut .....	6097	Male Elbow .....	7712
Pressure Gauge, 300 psi .....	6114	Valve Cover .....	7713
Retaining Ring .....	6140	Machine Screw .....	7715
Pipe Nipple .....	6200	Linkage Cover .....	7716
Pipe Nipple .....	6201	Male Elbow .....	7717
"O" Ring .....	7419	Female Outlet Tee .....	8037
Male Connector .....	7664	2-Way Valve .....	8224
Soc. HD Shoulder Screw .....	7668	4-Way Valve .....	8225
Cylinder .....	7669	Female Elbow .....	8228
Connecting Cylinder .....	7670	Quad-Ring Packing .....	8312
<b>Movable Piston</b> .....	<b>9822</b>	Pivot Point Plate .....	8398
Retaining Ring .....	7673	Valve Stem Extension .....	8761
Cylinder Cap Retainer .....	7674	Spring Pin .....	9203
Retaining Ring .....	7675	Quad-Ring Packing .....	9821
Cylinder Cap .....	7676	Stationary Piston .....	9823
Valve Mounting Bracket .....	7678	Piston Retainer .....	9838
Bearing .....	7679	Retaining Ring .....	9839
Trip Pin .....	7680	Quad-Ring Packing .....	12624
Bottom Mounting Bracket .....	7681		