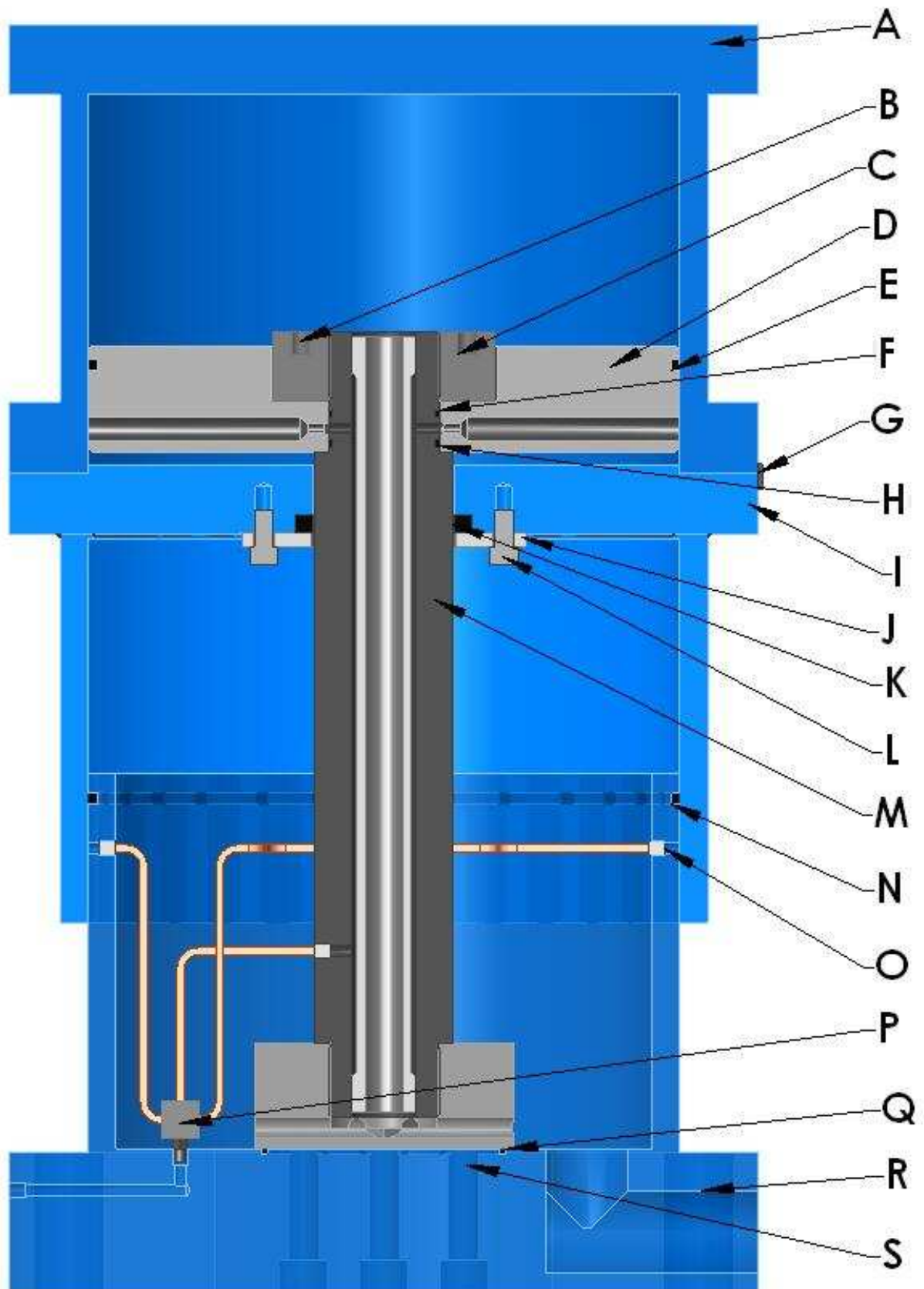


Model HMC Parts List



Model HMC Parts List

Description		Cylinder Diameter and Part Number								
		8"	10"	12"	14"	16"	18"	20"	22"	24"
Upper Cylinder	A	12802	12428	12487	12516	12399	12886	12890	12894	12898
Soc. Hd. Set Screw	B	1307	1307	1307	1463	1463	1463	1463	1463	1463
Piston Nut	C	-	-	-	12388	12388	13066	13066	13070	13070
Upper Piston	D	12801	12429	12489	12521	13060	11737	12890	13069	13075
Quadring	E	8335	8700	10109	9878	10110	10687	10688	10689	10690
"O" Ring	F	6161	6161	6161	6162	6162	6068	6068	11256	11256
Vent Cover	G	10384	10384	10384	10384	10384	10384	10384	10384	10384
"O" Ring	H	6161	6161	6161	6162	6162	6068	6068	11256	11256
Cylinder Weldment	I	12803	12430	12488	12518	12397	12887	12891	12895	12899
Lock Plate	J	13052	13052	13052	12401	12401	11735	11735	13071	13071
Soc. Hd. Cap Screw	K	7879	7879	7879	10951	10951	7886	7886	7886	7886
"U" Packing	L	7882	7882	7882	8973	8973	11737	11737	13068	13068
Piston Rod Assy.	M	12805	12805	12805	12387	12387	13064	13064	13073	13073
Quadring	N	8335	8700	10109	9878	10110	10687	10688	10689	10690
Grease Hose	O	10140	10140	10140	10140	10140	10140	10140	10140	10140
Lubr. Distr. Block	P	-	-	-	6620	6620	6620	6620	6620	6620
"O" Ring	Q	6068	6068	6068	12016	12016	11676	11676	13546	13546
Lower Piston	R	12804	12433	12485	12514	12389	12888	12892	12896	12990
Soc. Hd. Cap Screw	S	6656	6656	6656	8607	8607	1276	1276	8204	8204

(a) When ordering cylinders and cushion pistons, order according to cushion model and serial number (Serial Number is located at the front, lower flange of the cushion unit)